

Planter Box



(2) 2" x 4" - 63"
2' x 4' Lattice

Lumber

▲ Base, Top Trim, Sides:

(3) 2" x 4" - 12'

▲ Sides: (2) 2" x 4" - 8'

▲ Sides: (2) 2" x 8" - 8'

Hardware / Nails

▲ Base to Floor: 3" galvanized as required

▲ Sides 2" x 4" to 2" x 8": 2 1/2" galvanized as required

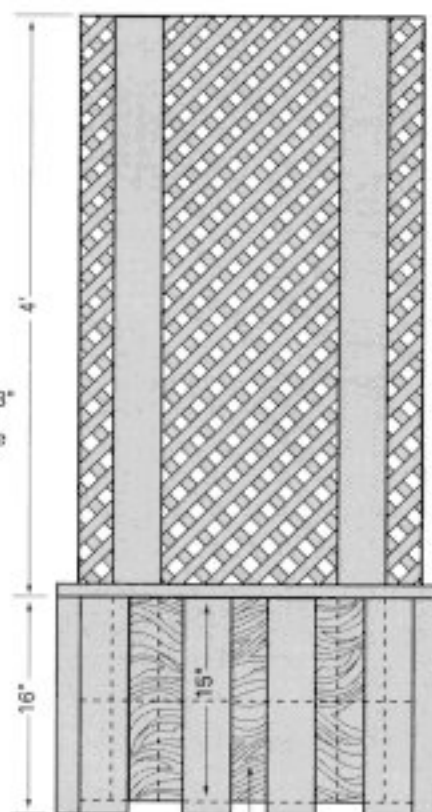
▲ Sides 2" x 8" to 2" x 8": 3" galvanized as required

Optional Lattice Work

▲ (1) 2' x 4' Lattice

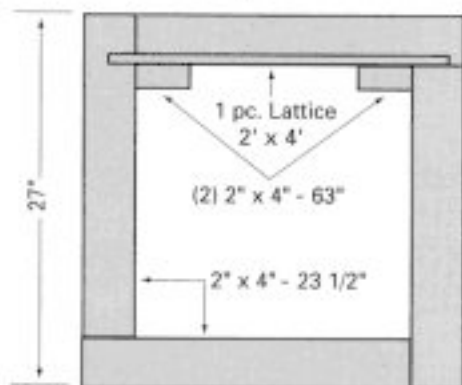
▲ (2) 2" x 4" - 63"

[(1) 2" x 4" - 12']

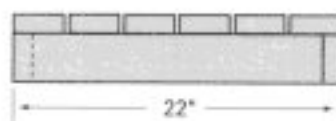
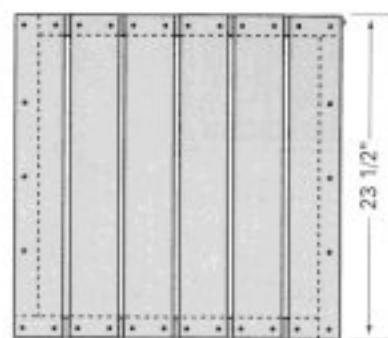


Box Front View

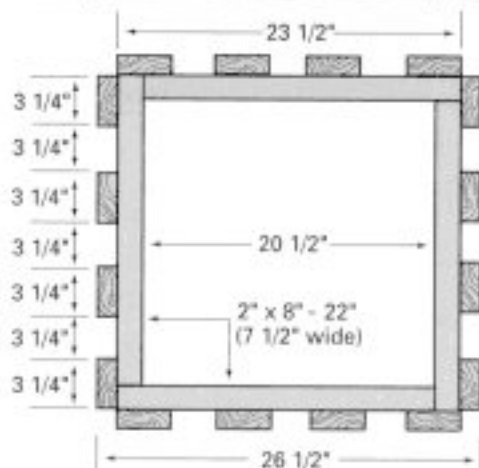
Top Trim



Base Top View



Base End View



Box Top View